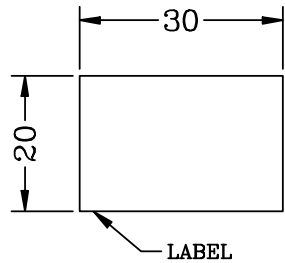
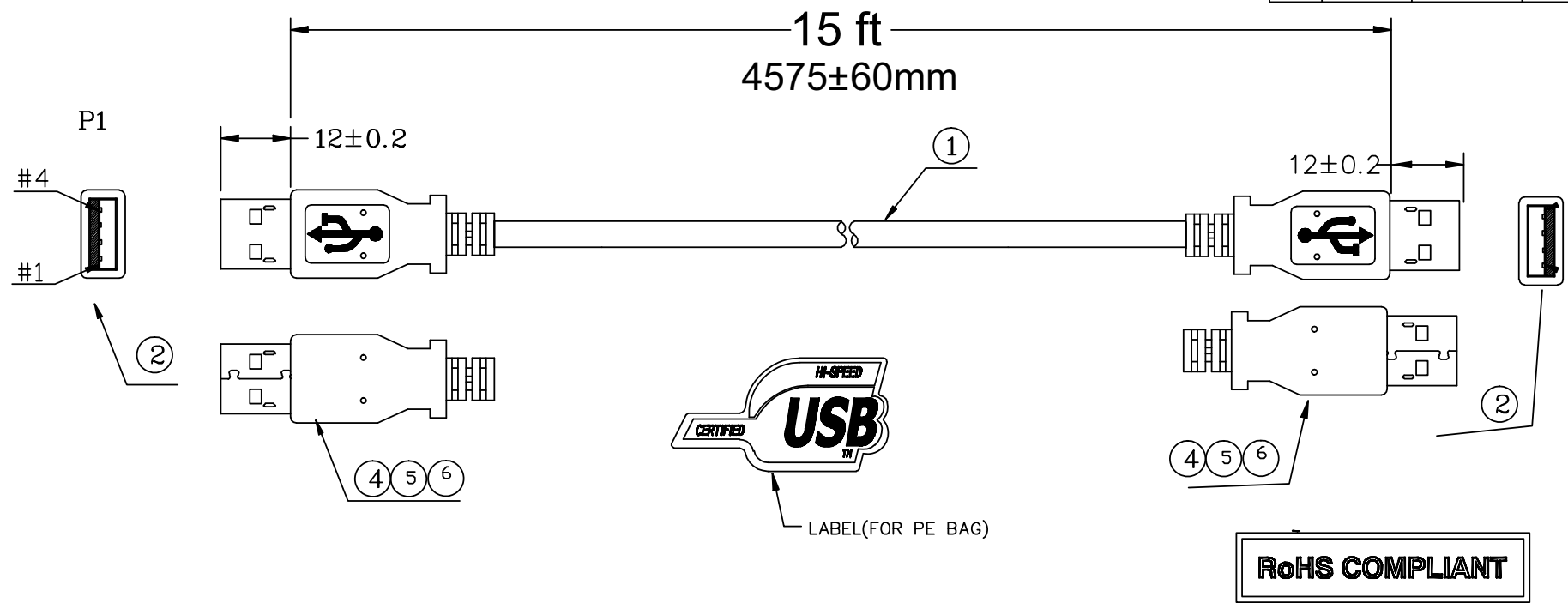


FILE NO:

DESCRIPTION CONTROL			
REV	DESC	DATE	ECN NO.
A			

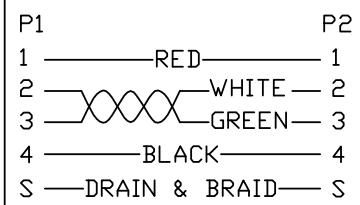


NOTE:
 1.CABLE COLOR : BEIGE 47#. <white as frost>
 2.NO VENDOR MARK.



* 330010000458	LABEL: see the attached drawing (mark on cable) (association)	1	PCS	
* 310000000012	CARTON: 46*30*25CM	1/200	PCS	
* 300010000001	PE BAG: 30*28*0.08MM	1/200	PCS	
* 300030000193	PE BAG: 5*6*0.06MM	1	PCS	
* 220030000049	TIE-A60/WH	2	PCS	
* 330010001093	LABEL: USB2-6AB(FOR PE BAG)	1	PCS	
6	120010000151	SQL-WIRE-63/37-1.0	0.2	G
5	210050000001	PVC-BE47/50	12.5	PCS
4	230020000001	DOUBLE INSULATION TAPE: 6*35MM	1	G
3	1100813040001	USB-A-P<WH>/PIN30U*	1	SET
2	1100813040001	USB-A-P<WH>/PIN30U*	1	SET
1	100205904429	#28*1P+#24*2C+A+D+B-BE47-1.83M-4.0U2725<REV:2.0>	1	PCS
NO	PART NO,	DESCRIPTION	QTY	UNIT

PIN ASSIGNMENT



Manufacture Resource Products, Inc.

	ITEM:	REV
		A
	SCALE: NONE	DATE:
	CUSTOMER: A01	
	CUSTOMER P/N:	

ALL DIMENSIONS IN mm