

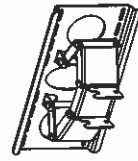
ASSEMBLY INSTRUCTIONS

FOR ADJUSTABLE FLAT PANEL WALL MOUNT

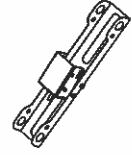
This product is designed to mount flat panel televisions weighing up to 165lbs/75kgs to a vertical wall. It allows you to effortlessly tilt your new television up or down without using tools.

Safety Warning: Be careful to make sure there are no missing or defective parts. Never use defective parts. Improper installation may cause damage or serious injury. Note The included hardware is for mounting on walls with wood stud construction. If you are uncertain about the nature of your wall, consult an expert. Please consult your hardware or installation professional for proper mounting to other types or walls. The supplied hardware is not for steel.

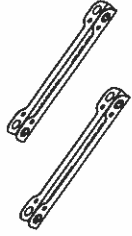
SUPPLIED PARTS:



a: Wall Plate (1)



b: Arm Assembly (1)



c: Monitor Brackets(2)



d: 1" Diameter Tube (2)



e: 1/4x2.5" Lag Bolt (6)



f: Concrete Anchor (6)



g: Plastic Cover (4)



h: M8 Machine Screw
M8x25(4) and M8x40(4)



i: M6x30 Machine Screw (4)



j: M5x30 Machine Screw(4)



k: M4x30 Machine Screw (4)



l: Lag Bolt Washer(10)



m: M4/M5 Washer (12)



n: Plastic Spacer (4)

o: Plastic Spacer (4)



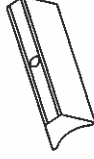
p: Axle Pin & Safety Bolt (4)



q: Axle Pin & Safety Bolt (2) r: Vise Assembly (small) (4)



s: Vise Assembly (big) (2)



t: Allen Key(2)

1a. BRICK, SOLID CONCRETE AND CONCRETE BLOCK MOUNTING: Use the Wall Plate (a) as a template to mark 6 hole locations on the wall. Three in the top row of slots and three more in the bottom row. Make sure these holes are level and there is at least 150mm between any two holes. Pre-Drill these holes with a 10mm masonry bit to at least 60mm in depth. Insert a Concrete Anchor (f) into each of these holes. Pre-Drill these holes with a 5mm flush with the concrete surface even if there is a layer of drywall or other material in front. Attach the Wall Plate to the wall using 6 Lag bolts (e) and 6 M4 / M5 Washer (m).

WARNING: Tighten Lag Bolts (e) only until Lag Bolt Washer (l) is pulled firmly against the Wall Plate (a), DO NOT OVERTIGHTEN THE BOLTS!

1b. MOUNTING THE WALL PLATE: The wall plate (a) MUST be mounted to two wood studs. Use a high quality stud sensor to locate two adjacent studs. It is a good idea to verify where the studs are located with an awl or thin nail shown in diagram 1-A. Pre-drill a 3mm deep hole at the desired height in each stud using a 4mm drill bit. Make sure these holes are in the center area of the studs and level with each other. Use the Wall plate as a template to mark the location of the second hole in each stud. Pre-drill these two holes using the 4 drill bit as well. Attach the Wall Plate to the wall using for the four Lag Bolts (e). Make sure the Wall Plate is oriented so the flat surface in the center of the plate is against the wall shown in diagram 1-B.

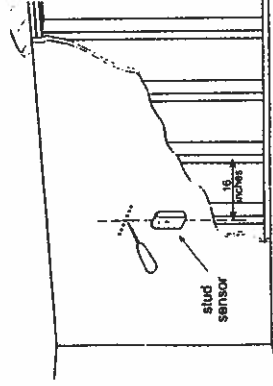


Diagram 1-A

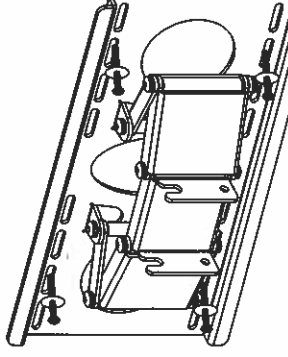


Diagram 1-B

2. Assemble the monitor bracket: As shown in diagram 2, put two 1" diameter Tube through Arm Assembly (b) and monitor bracket (c) in turn, pay attention to getting the section of TV Rail with round hole upward and the one with slot downward. Then according to Diagram 3-A, place Vise Assembly (small) Monitor Bracker (c) TV Rail (c), put Axle pin (short) through the round hole on monitor brackets and fit the arc face tightly against 1" diameter tube, then as shown in Diagram 3-B, put M6 Safety Bolt through Axle pin and screw in Vise Assembly. The effect at the end of installation is shown in Diagram (3-C). Attention: do not tighten the screw at this time so as to let monitor brackets smoothly slide on 1" Diameter Tube. The tubes must extend beyond the outside edges of both monitor brackets and the Allen bolt in all 6 vise assemblies must be tightened for the installation to be safe!

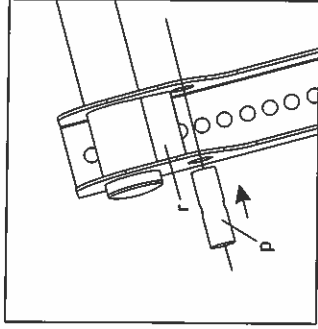


Diagram 3-A

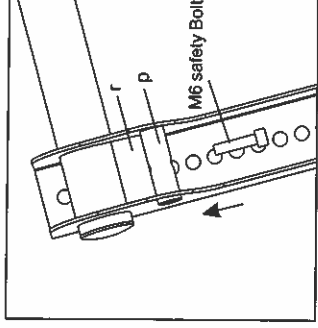


Diagram 3-B

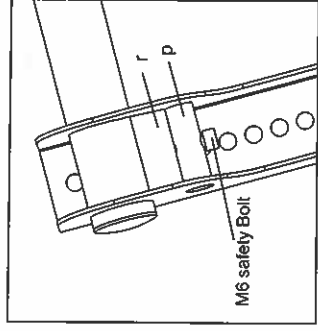


Diagram 3-C

3. Attach the monitor bracket to the television:

3a. Select the television mounting hardware: Locate the threaded inserts on the back of your flat panel television. Determine which of the provided bolts is the correct diameter. **Always make sure the television is unplugged before threading any bolt into the back panel.** Two lengths in each of the following diameter are provided: M4, M5, M6, and M8. The shorter bolts are to be used if the back your television is flat. The longer bolts are designed to be used with either the M4/M5 Spacer (o) or the M6/M8 Spacer (n) on televisions with curved or recessed backs. The long bolts are only to be used without a spacer in rare cases when the threaded inserts are deeply recessed inside the frame of the television. **3b. Diagram 4 shows the orientation of the monitor brackets on the back of the television. Each Monitor Bracket (c) must be held in place by 2 bolts. Make sure both monitor brackets are level with each other by selecting the same hole in the bottom half of each bracket and adjust the arm assembly in the center of the TV. If you determined that your television requires either the M4(k) or M5(j) diameter look at the diagrams 5 through 7 and select the one that best represents the shape of the back of your television. If you determined that your television requires either the M6(l) or M8(h) diameter bolts, look at diagrams 8 through 10 and select the one that best represents the shape of the back of your television.**

WARNING: DO NOT LAY THE TELEVISION FACE DOWN ON THE GLASS, lean it up against a wall or other solid surface. Lying the television down on the glass may cause permanent damage.

WARNING: Threaded bolts carefully into your television by hand before tightening, if feel resistance, remove the bolt immediately!

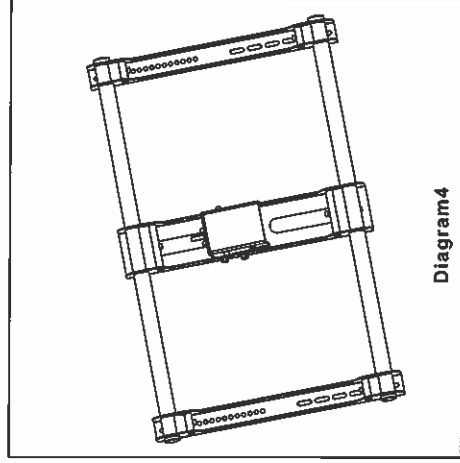


Diagram 4

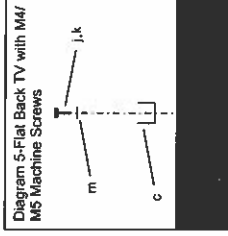


Diagram 5-Flat Back TV with M4/M5 Machine Screws

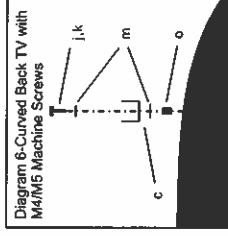


Diagram 6-Curved Back TV with M4/M5 Machine Screws

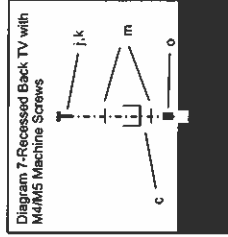


Diagram 7-Recessed Back TV with M4/M5 Machine Screws

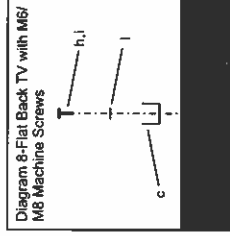


Diagram 8-Flat Back TV with M6/M8 Machine Screws

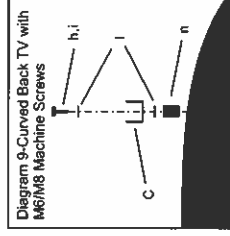


Diagram 9-Curved Back TV with M6/M8 Machine Screws

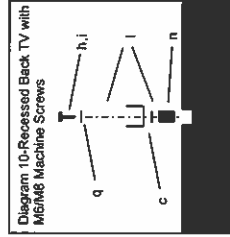


Diagram 10-Recessed Back TV with M6/M8 Machine Screws

4. Hang the TV onto the wall plate: after Monitor Brackets are mounted on the TV, lift the TV with its back to the wall plate and hang it on the wall plate as shown in Diagram 11. For the big TVs two persons may be required to do this. After the TV is hung on the wall plate securely, tighten the screw (u) into the screw hole on the arm assembly (b) according to Diagram 12 to get both Arm assembly and wall plate joined together.

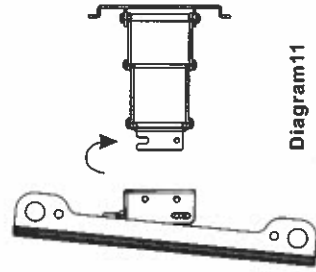


Diagram 11

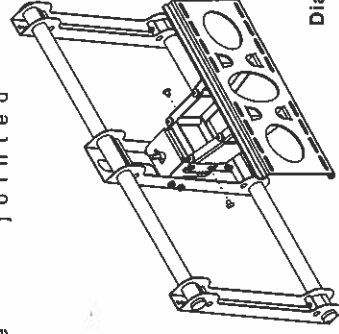


Diagram 12