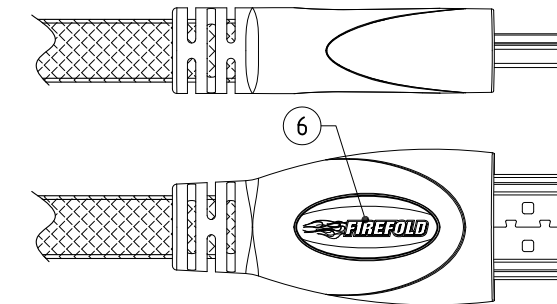
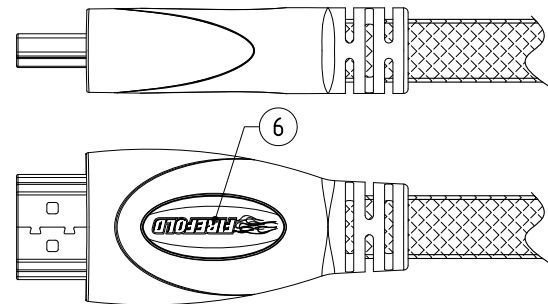
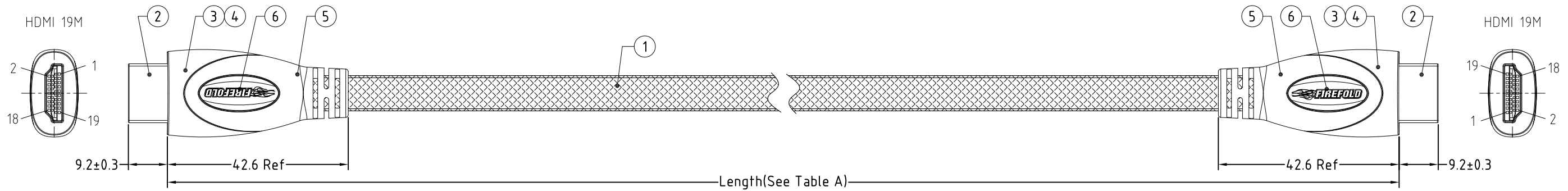
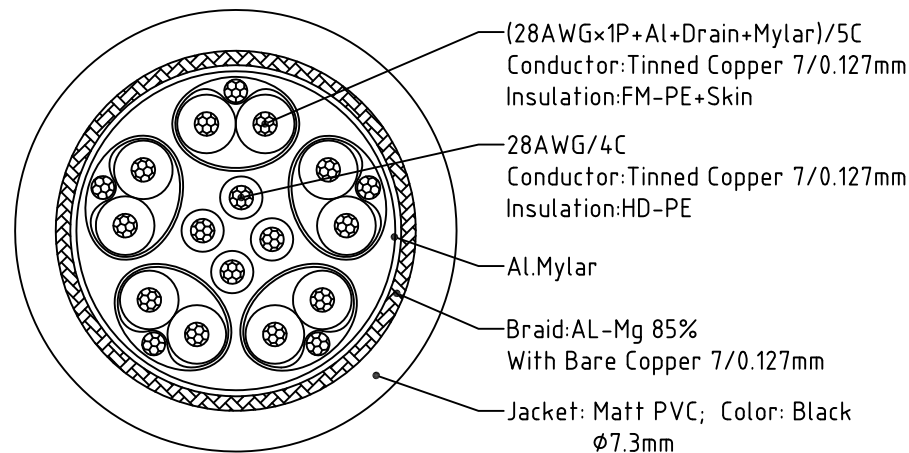


RevNo	Revision note	Date	Signature	Checked
1.0	Product to release	09/10/12	Daniel	



Wire Details(Scale 8:1)

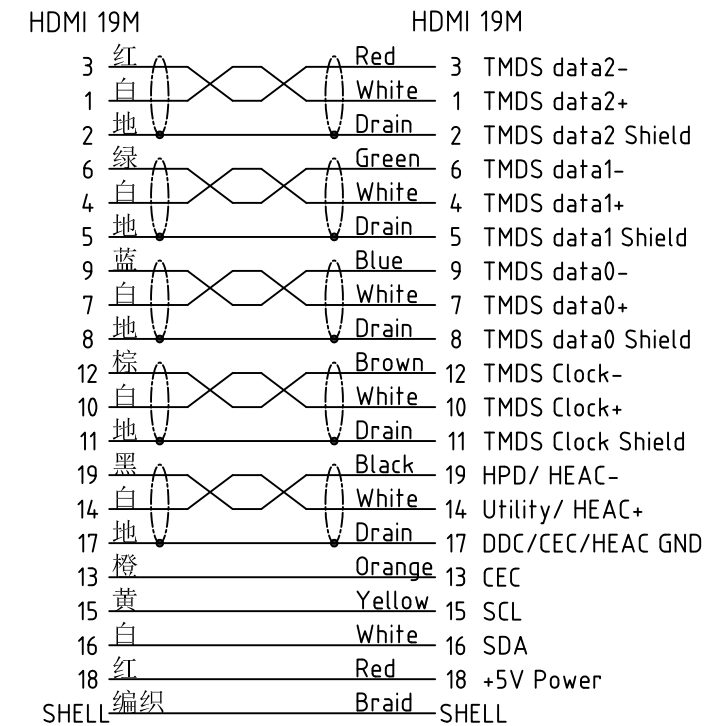


Cable marking(color:White)
High Speed HDMI Cable with Ethernet
E119932-T 兄 AWM STYLE 20276 80°C 30V VW-1 COPARTNER

TABLE A

HL P/N	LENGTH	裁线长度	Conductive resistance
CAHH111028-0001	915±20mm	910±5mm	2 Ohm max.
CAHH111028-0002	1830±40mm	1825±10mm	2 Ohm max.
CAHH111028-0003	3660±60mm	3650±15mm	3 Ohm max.
CAHH111028-0004	6096±120mm	6086±30mm	3 Ohm max.

PIN ASSIGNMENT(1.4v)



Electrical character:

- 100% Open/short/Intermittent testing
- Withstanding voltage:DC 300V AT 10ms.
- Insulation resistance:20M Ohm(min)
- Residual operating current:
 - a.<1.M=0.5mA; b.1.0~2.0M=1.0mA;
 - c.2.0~3.0M=2.0mA; d.3.0~5.0M=3.0mA;
 - e.5.0~10M=5.0mA; f.10~15M=7.0mA;
- Conductive resistance: See Table A.

NO.	PART NAME	SPEC DESCRIPTION	PART P/N	REMARK
6	Nameplate	Nameplate"FIREFOLD"	PLB5-530002	
5	Overmold	PVC 70Pa Black UL94V-0	PS02-701101	
4	Firstmold	PVC 45Pa Red 199C UL94V-0	PS02-453301	
3	Innermold	PE Low density	PS00-000201	
2	Conn	HDMI 19P/M 15u"/Au Black Shell-Steel G/F Plated Solder type	C010P-001	
1	Cable	HDMI H/S W/Ethernet UL20276(28#TS/1P+ADM)/5C+28#/4C+AEB(Al-mg65%) OD7.3mm Jacket: Black PVC, Impedance:100 Ohm, 编织网:8股红色/32股黑色 每股1×0.20mm PET Ø7.3mm	W56-2801407311401-LY1-W1	See Table A

Mould number:	Customer: C1002	Customer P/N: See Tabel A	Article No./ DWG.HL-EN-101		
HLM1HDMIAM102-1 HLM1HDMIAM110-2 HLM1HDMIAM110-3	Designed by: Daniel Cho	Checked by: Daniel Cho	Approved by - date: Jession - 09/10/12	File name: Product DWG.	Date: 09/10/12
Packing file:	HAILINK Electronics Limited		Name: HDMI Cable 28AWG Overmold of Red&black		
This drawing contains information that is proprietary to Hailink Electronics Limited incorporated and should not be used without written permission			Number: CAHH111028-0001~4	Edition: 1.0	Sheet: 1/2 A3