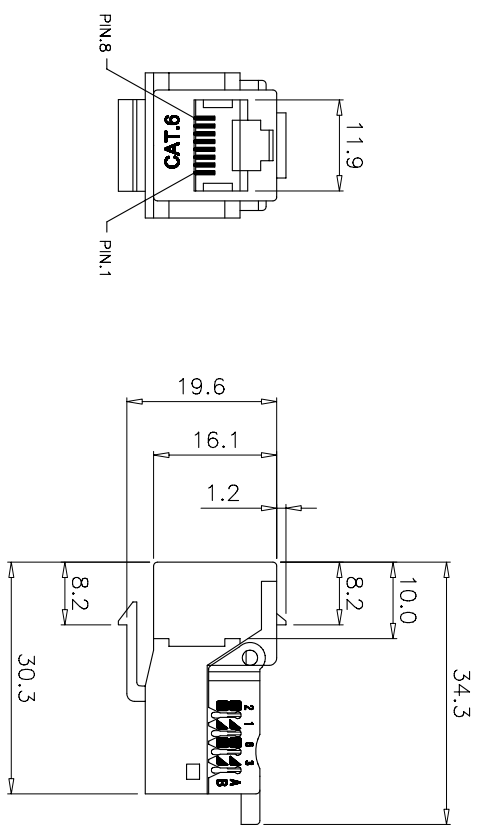


SCALE 1/1



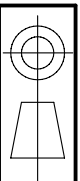
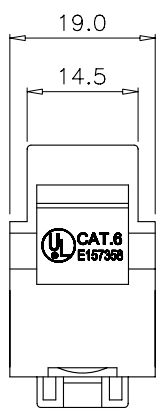
Specification :

Material :

1. Plastic Housing : ABS + PC, UL 94V-0.
2. RJ45 Contact material & finished :
 - 2-1. Phosphor Bronze with 50-60 micro-inch Nickel plated.
 - 2-2. Contact area : Min. 3 mm 50 micro-inch Gold plated.
3. IDC Housing : PC, UL 94V-2.
4. IDC Terminal material & finished :
 - 4-1. Phosphor Bronze with 50 micro-inch Tin-Lead plated over 50-60 micro-inch Nickel plated.
 - 4-2. Use for 23-24 AWG solid wire, max. wire OD 1.4 mm.
5. IDC CAP : PC, UL 94V-2.

Performance :

- a. The IDC color codes combine two wirings of T568A & T568B.
- b. Insertion Force : 900 gms for 8 contacts.
- c. Retention Strength : 7.7 kgs between Jack and Plug.
- d. Operation Temperature : -40°C to 80°C.
- e. Durability :
 - e-1. Jack : 750 cycles Plug-Jack mating and unmating test, insertion cycles at 20 cycles/minute max. Contact resistance test per 100 cycles.
 - e-2. IDC : Max. 200 punching times.
- f. The Cat.6 performance is in compliance with the ANSI/TIA/EIA 568 B.2-1 standard.



UNIT M/M

SCALE 1/1

DWG NO: 101705

DSGN
CHK

APPR

ITEM NO: 101705

Unshielded Keystone Jack Toolless IDC Connector