

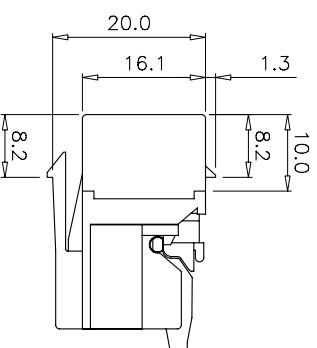
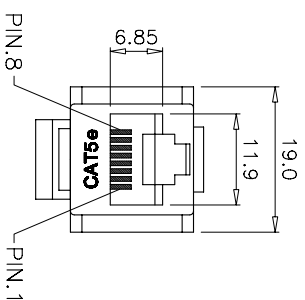
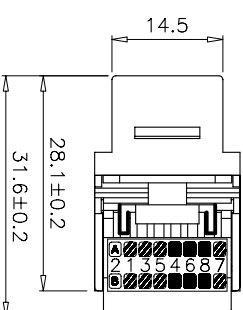
SCALE 1/1

Specification :

- Material :
1. Plastic Housing : ABS+PC, UL 94V-0.
 2. RJ45 Contact material & finished :
 - 2-1. Phosphor Bronze with 50-60 micro-inch Nickel plated.
 - 2-2. Contact area : Min. 3 mm 50 micro-inch Gold plated.
 3. IDC Housing : Polycarbonate, UL 94V-0.
 - 4-1. Terminal material & finished : Phosphor Bronze with 50-60 micro-inch Tin-Lead Plating over 50-60 micro-inch Nickel plated.
 - 4-2. Use for 22-26 AWG stranded & solid wire.
 4. IDC Holder Cover : ABS, UL 94V-0.
 5. Key Lock : ABS, UL 94V-0.

Performance :

- a. The Holder Cover codes combine two wirings of T568A & T568B.
- b. Insertion Force : 900 gms for 8 contacts.
- c. Retention Strength : 7.7 kgs between Jack and Plug.
- d. Operation Temperature : -40°C to 80°C.
- e. Durability :
 - e-1. Jack : 750 cycles Plug-Jack mating and unmating test, insertion cycles at 20 cycles/minute max. Contact resistance test per 100 cycles.
 - e-2. IDC : Max. 200 punching times.
- f. The Cat.5e performance is in compliance with the ANSI/TIA/EIA 568 B.2 standard.



		DSGN		ITEM NO: 101605
UNIT	M/M	CHK		
SCALE	1/1	APPR		Unshielded IDC Type With easy Tool
DWG NO:	101605			