

# Assembly Instructions - Wall or Ceiling Speaker Mounts

Models:  
SPK810  
SPK810W

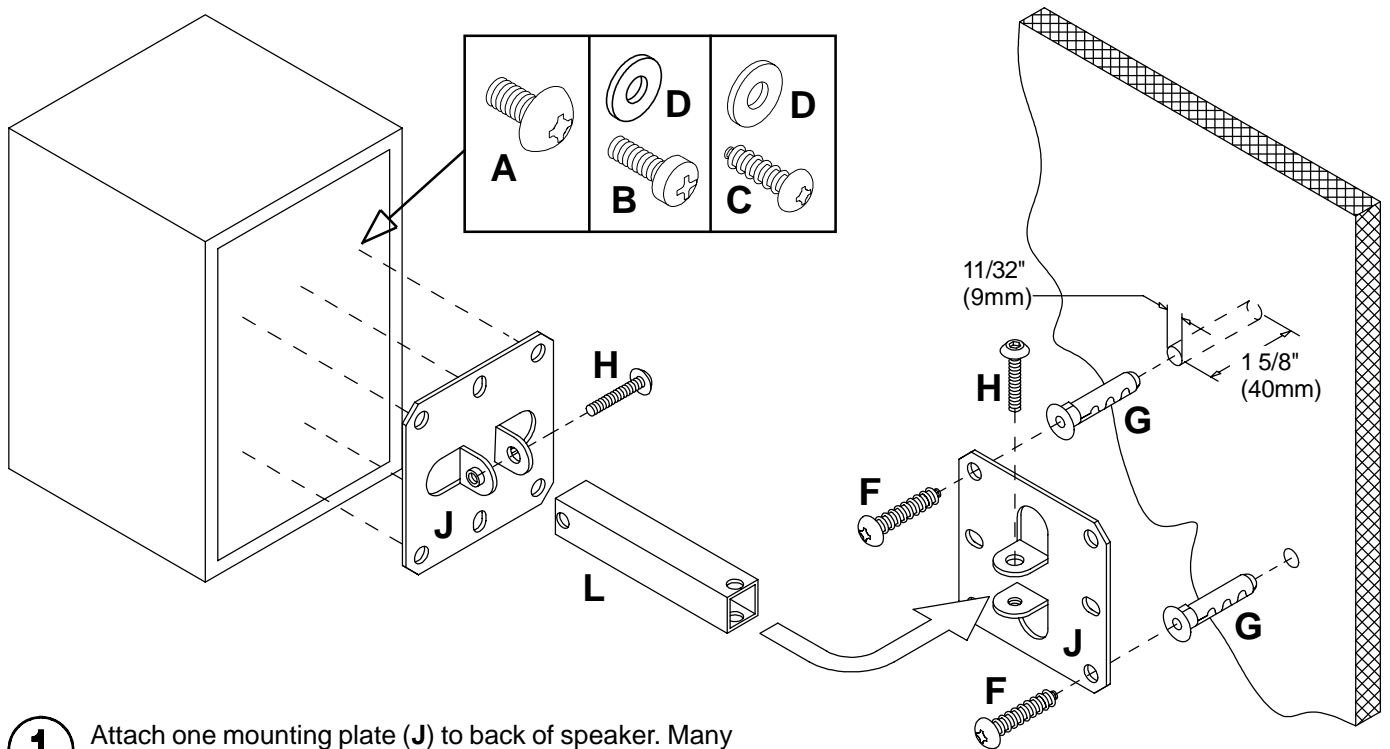
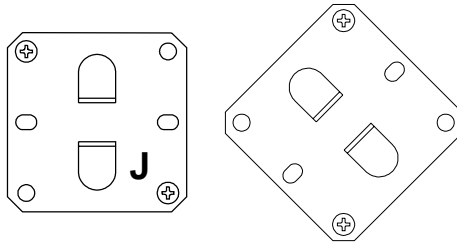
**IMPORTANT!** Read entire instruction sheet before you start installation and assembly.

**MAXIMUM LOAD CAPACITY:**  
10 lbs.(4.5 kg.) each mount.

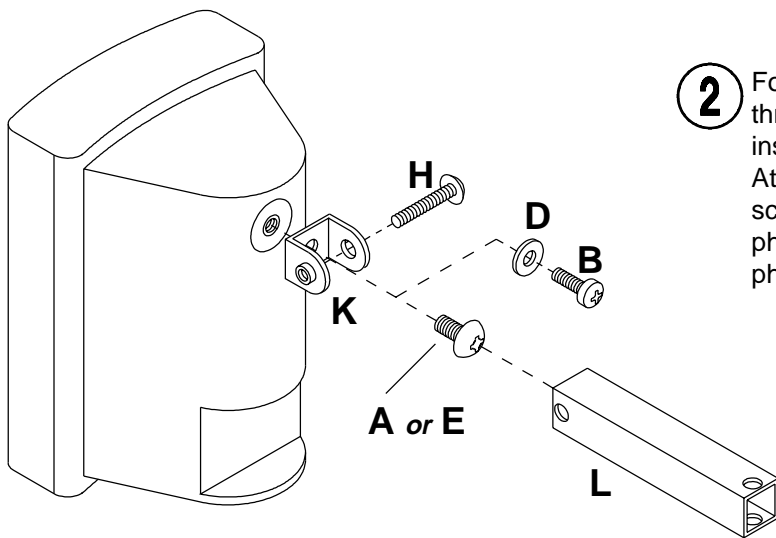
**Peerless Industries, Inc.** For customer service, call  
1980 Hawthorne Avenue 1-800-729-0307 or  
Melrose Park, IL 60160 708-865-8870.



**Note:** Mounting plate (J) may be attached at any angle.



- 1 Attach one mounting plate (J) to back of speaker. Many speakers have threaded inserts that will accept screws (A or B). For speakers with wood or particle board backs that **do not contain threaded inserts** drill four 1/8" (3mm) dia. holes no deeper than 5/8" (16mm) and attach with #10 particle board screws (C). Use washers (D) with screws (B or C). Attach remaining mounting plate (J) to wall (or ceiling) and assemble speaker mount as shown. **Note:** Plastic anchors (G) may be used in concrete, concrete block, brick, wood, plaster, or drywall.



**2** For speakers with a single threaded insert use U-bracket (K) instead of mounting plate (J). Attach with 1/4-20 x 1/2" phillips screw (A) or M6 x 1.0 x 10mm phillips screw (E) or 10-32 x 1/2" phillips screw and washer (B & D).

Parts List		SPK810 Part No.	SPK810W Part No.
Qty.	Description		
A	4 1/4-20x1/2" phillips screw	510-9108	520-9511
B	8 10-32 x 1/2" phillips screw	520-9509	520-9510
C	8 #10 particle board screw	500-9006	510-9156
D	8 #10 flat washer	540-9400	540-9442
E	2 M6 x 1.0 x 10mm phillips screw	520-9401	520-9524
F	4 #14 x 1 1/4" phillips screw	510-9157	510-9158
G	4 plastic anchor	590-1025	590-1025
H	4 1/4-20 x 7/8" socket screw	520-9507	520-9508
J	4 mounting plate	087-1001	087-2001
K	2 U-bracket	087-1022	087-2022
L	2 wall arm	087-1021	087-2021
M	1 5/32" allen wrench	560-9706	560-9706

