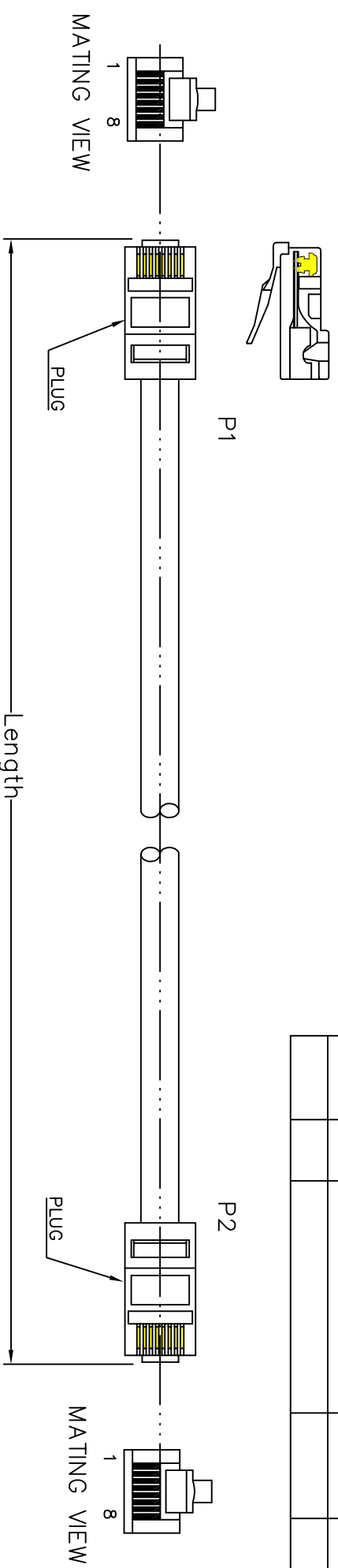
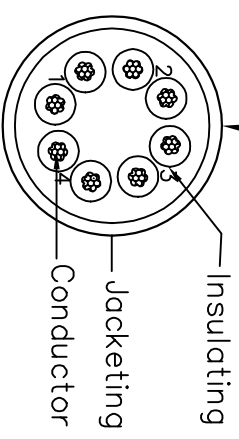


DATE	REV	DESCRIPTION	BY	CHKD

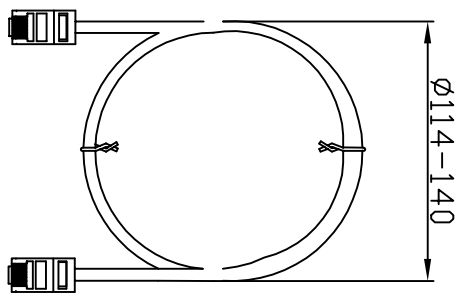


Working YFC UTP CAT.5E 350MHZ PATCH ISO/IEC 11801 & EN 50288 & TIA/EIA-568-B.2 3P VERIFIED FOR GIGABIT ETHERNET
 24AWG4P TYPE CM (UL) C(UL) CMH E164469-F3



Conductor	Base Copper 24AWG 70/196 ± 0.015mm
Insulation	Thickness: MIN. at any point 0.15mm MAX AVG 0.25mm Diameter: 0.98 ± 0.06mm
Jacketing PVC	Thickness: MIN. at any point 0.42mm MAX AVG 0.45mm Diameter: 5.4 ± 0.2mm

WIRE	CAT.5E UTP STR
PLUG	
Length	XXFT
COLOR	X



orange 1	green 2
white/orange	white/green
blue 3	brown 4
white/blue	white/brown

PA/R	PINOUT	
	P1 (T568B)	P2 (T568B)
1	1 WHT/ORG	1
2	2 ORG	2
3	3 WHT/GRN	3
4	4 GRN	4
5	5 BLU	5
6	6 WHT/BLU	6
7	7 WHT/BRN	7
8	8 BRN	8

Unless specified on the drawing, tolerances are per the follows:
 ± 1
 .X ± 0.2
 .XX ± 0.05

3RD	
-----	--



DRAW. NO	ITEM	CAT.5E UTP STR
DEPARTMENT	DRAW	DATE 2005/12/27
SCALE	CHECKER	APPROVAL
UNIT	MM	SHEET 1 OF 1